

Laboratory sinks

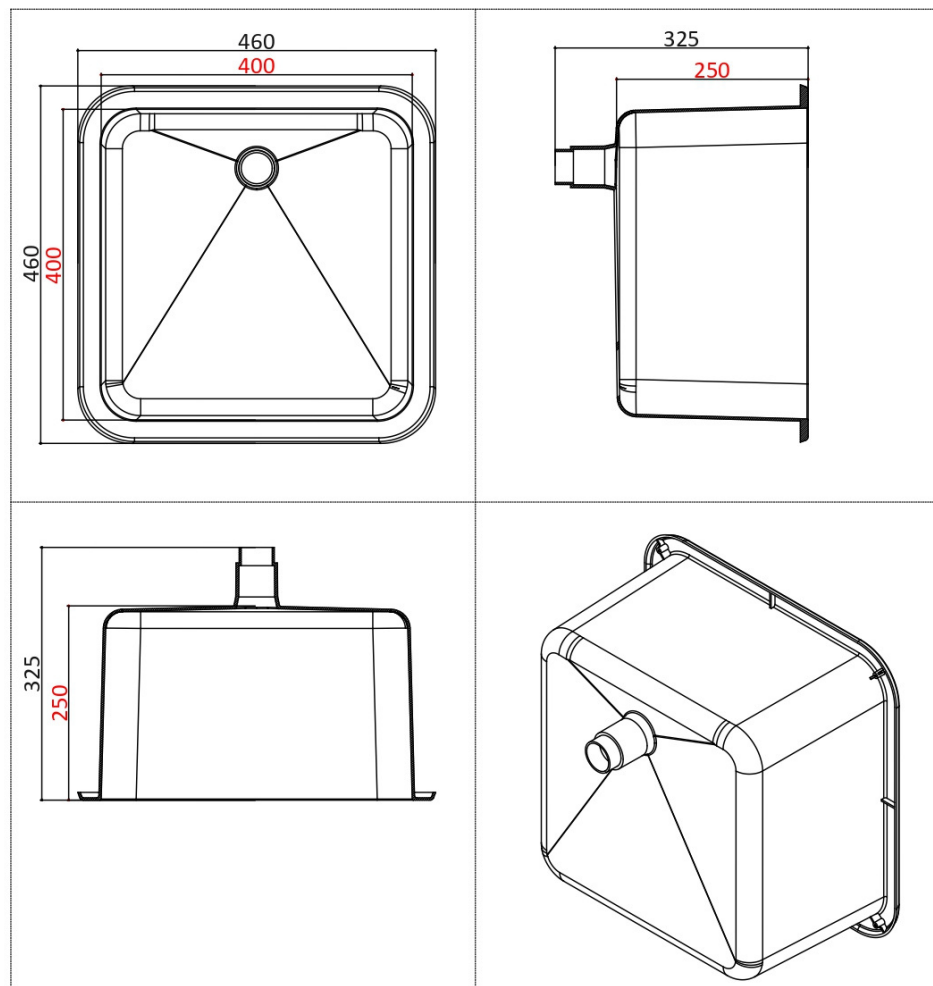
Sinks

Novagent sinks made of Polypropylene PP are the ideal match for laboratory benchtops. Supplied with 1½" male threaded PP outlet and standpipe.



Technical details:

- Internal dimensions 400 x 400 x 250 mm
- Waste connection 1½"
- Constant wall-thickness of 3,8 mm due to injection moulding
- High chemical resistance
- Special groove in the flange keeps the water seal in position
- Suitable for drop-on as well as for undermount installation
- In case of drop-on installation, the flange sits very neat on the worksurface
- Easy to install
- Stackable



Specifications

Product Name: Sink

Article Code: NG-581-00039

Material: Polypropylene

Colours: White, Black, Blue, Grey

Net weight: 1.6 kg

Laboratory sinks

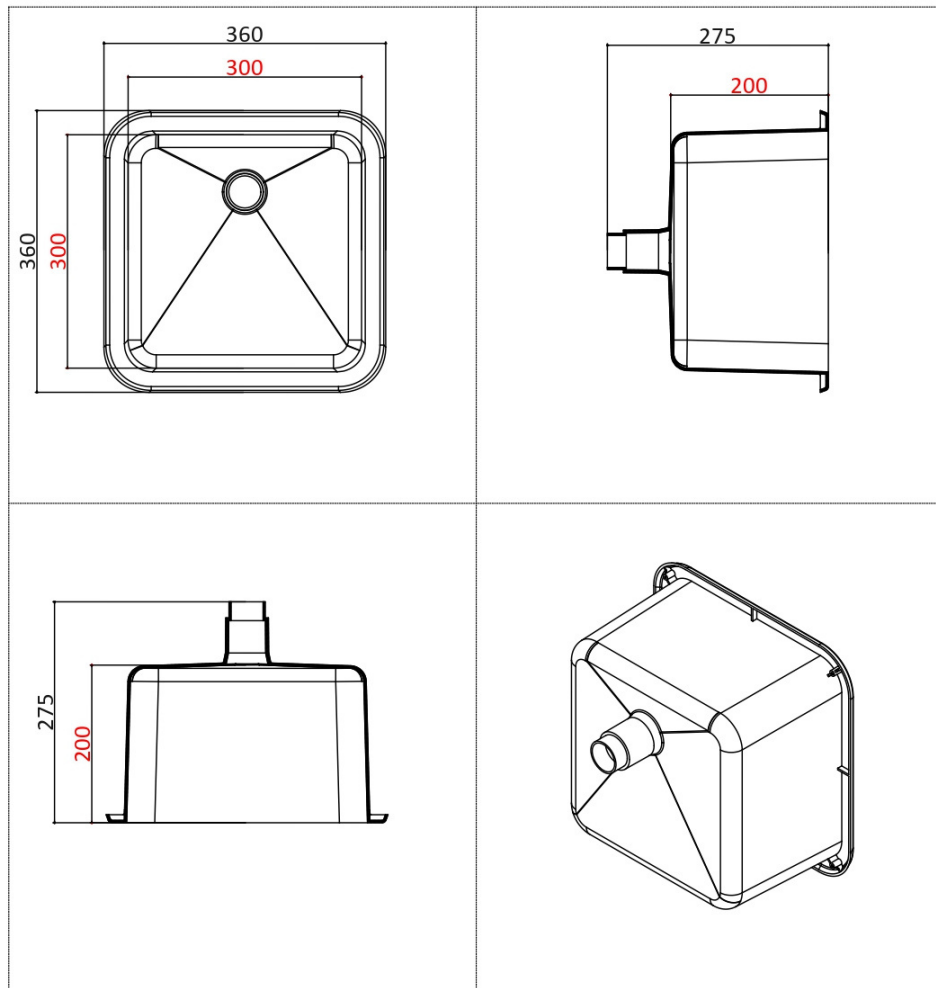
Sinks

Novagent sinks made of Polypropylene PP are the ideal match for laboratory benchtops. Supplied with 1½" male threaded PP outlet and standpipe.



Technical details:

- Internal dimensions 300 x 300 x 250 mm
- Waste connection 1½"
- Constant wall-thickness of 3,8 mm due to injection moulding
- High chemical resistance
- Special groove in the flange keeps the water seal in position
- Suitable for drop-on as well as for undermount installation
- In case of drop-on installation, the flange sits very neat on the worksurface
- Easy to install
- Stackable



Specifications

Product Name: Sink

Article Code: NG-581-00039

Material: Polypropylene

Colours: White, Black, Blue, Grey

Net weight: 1.6 kg