

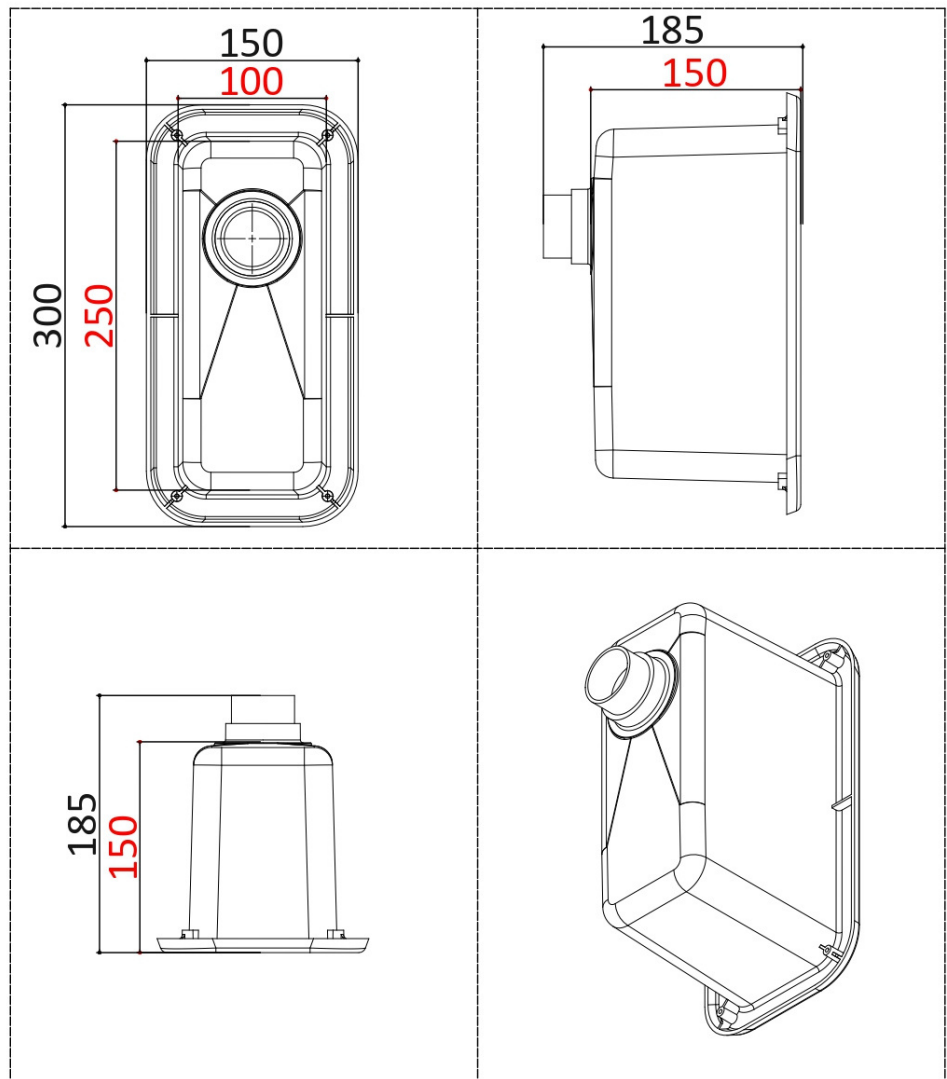
# Laboratory Cup Sinks

## Cup sinks

Novagent cup sinks made of Polypropylene PP are the ideal match for laboratory benchtops. Supplied with 1½" male threaded PP outlet and standpipe.

## Technical details:

- Internal dimensions 250 x 150 x 100 mm
- Waste connection: 1,5
- Suitable for undermount installation



## Specifications

Product Name: Cup sink  
Article Code: NG-581-00039-C  
Material: Polypropylene  
Colour: White, Grey  
Net weight: 1.0 kg